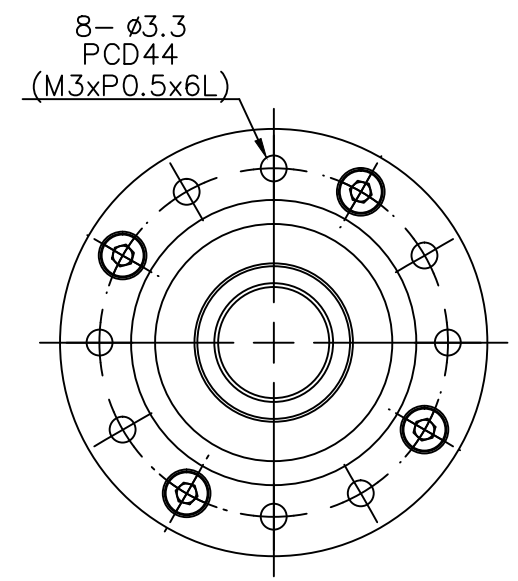
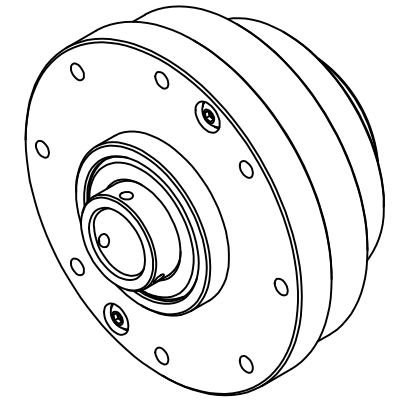
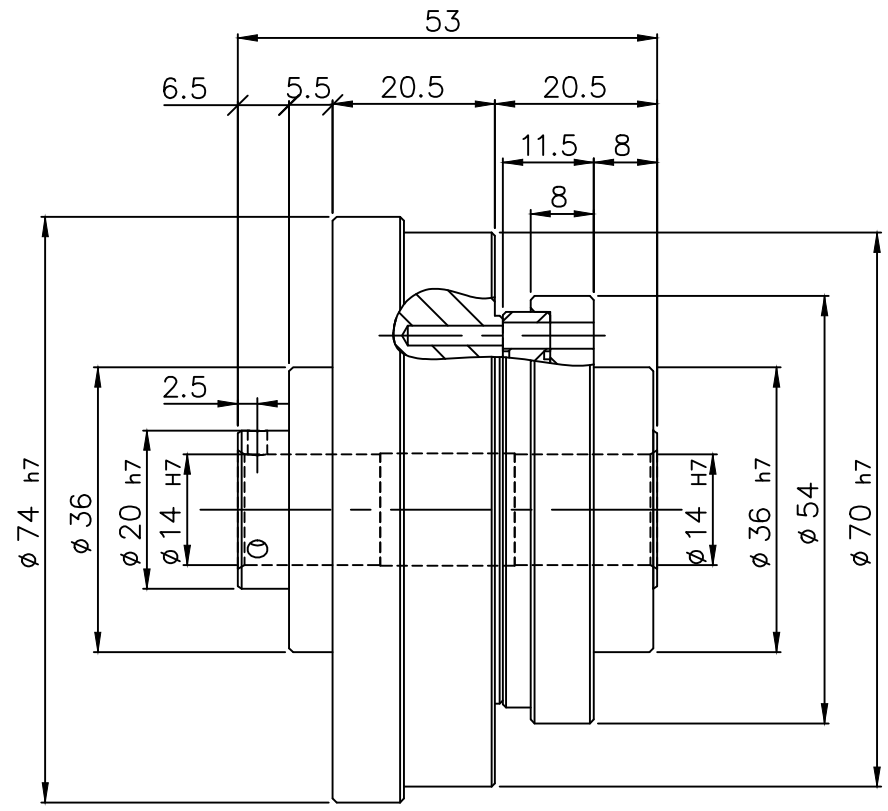
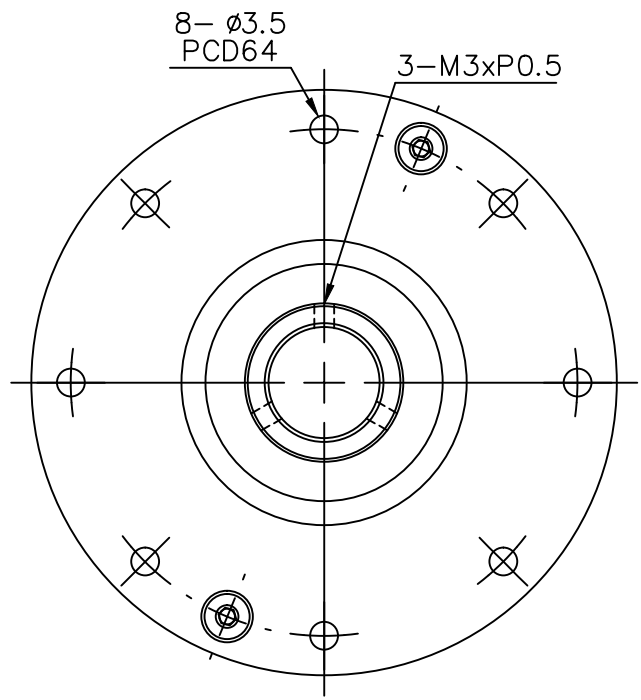


A

B

C

D



LIMING
LI MING MACHINERY CO., LTD.

VARIETY
OUTLINE DIMENSION

DRAWING NO.
DHG14-0

MODEL
DHG14

RATIO
1/50,80,100,120

POWER

PATH

STAGE 1

VERSION 01

UNIT mm

APPROVED

EXAMINED

CHECKED

DRAWN
Guan Jie

DATE

DATE

DATE

DATE
2020/3/10

NO

REVISION

REVISER

DATE

TITLE
ROBONIC DRIVE